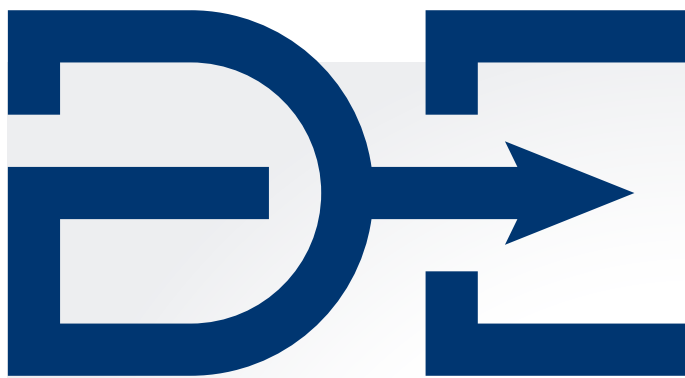


## Air purifiers with different filtration stages



AIR PURIFIER UNITS  
PA



# EQUIPMENT WITH GUARANTEED EFFECTIVENESS

DECACLIMA gives its clients reassurance of guaranteed equipment effectiveness and quality, through testing and certification by independent laboratories.

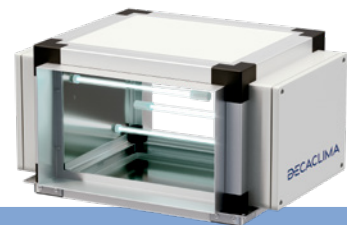


## Air purifying units with certified effectiveness

The air purifying units are certified for **antiviral effectiveness** (100% in 10 minutes) and **effectiveness against bacteria and fungi** (in 20 minutes), **without ozone emission**. The tests have been carried out with mengovirus, a microorganism from the same family as SARS-CoV-2.



-  **100% antiviral effectiveness** in 10 minutes
-  **Air clear of bacteria and fungi** in 20 minutes
-  **Without ozone emission**



**WITH OPTIONAL UVc GERMICIDAL CHAMBER**



# PA SERIES

## Air purifier units

Units specifically designed for cleaning the air inside any type of premise; primarily in high occupancy areas. Also suitable for use in health applications.



### MAIN CHARACTERISTICS

- G4 and F7 filtering.
- EC variable speed fans.
- 100% removable for cleaning.
- Active carbon filter.
- F9 final filter with a 70% efficiency.
- Panels with interior insulation.

### STANDARD FINISHES

- Galvanised steel interior/painted exterior.
- Aluminium modular structure.

### OPTIONS

- UVc germicidal chamber.
- HEPA filter with a 99.995% efficiency.
- 1 grate supply module.
- 3 grate supply module.
- Wheels assembly.
- Radiometer (indicates radiation, hours and percentage).

### CONFIGURATIONS

- PAV vertical construction.
- PAB horizontal construction.

The product range is introduced in two vertical configurations that are ideal for direct mobile use in rooms with 240V connections and may incorporate a supply module with outlets to 1 or 3 sides. The horizontal configuration is conceived to be installed in technical ceilings and connected using ducting in premises requiring air treatment and also allows installing an exterior air connection.



In both cases these units incorporate a filter package capable of removing a minimum of 70% of particles larger than 0.4µm (microns). As an option, HEPA H14 type filters may be installed, which are capable of retaining a minimum of 99.995% of particles larger than 0.3µm (microns).

As standard, both versions also include an active carbon stage used for removing bad odours produced by its usage and the occupation of the premises.

Finally, a germicidal chamber built using "C" range UV lamps with a 253.7 nm spectrum, which is a wave amplitude that is prescribed for deactivating a large variety of micro-organisms can be built-in to the unit. Cellular DNA and RNA absorb the UVc energy of the short wave length.

## Technical characteristics

Model		PAV 1.5 17FG9 UV	PAV 3.0 17FG9 UV	PAV 4.5 17FG9 UV	PAV 6.0 17FG9 UV	PAB 1.5 17FG9 UV	PAB 3.0 17FG9 UV	PAB 4.5 17FG9 UV	PAB 6.0 17FG9 UV
FLOW RATE	m <sup>3</sup> /h	1500	3000	4500	6000	1500	3000	4500	6000
	CFM	883	1766	2649	3531	883	1766	2649	3531
AVAILABLE PRESSURE	PA <sup>1</sup>	300	300	300	300	300	300	300	300
POWER SUPPLY	V	I-200-230 V 50/60 Hz	I-200-230 V 50/60 Hz	I-200-230 V 50/60 Hz	I-200-230 V 50/60 Hz	I-200-230 V 50/60 Hz	I-200-230 V 50/60 Hz	I-200-230 V 50/60 Hz	I-200-230 V 50/60 Hz
NOISE LEVEL	dB <sup>2</sup>	47	51	55	59	47	52	55	59
FAN	TYPE	PLUG FAN EC	PLUG FAN EC	PLUG FAN EC	PLUG FAN EC	PLUG FAN EC	PLUG FAN EC	PLUG FAN EC	PLUG FAN EC
	kW	0.78	1.35	2.7	2 x 2.7	0.78	1.56	2.7	2 x 2.7
UVc	Units	3	7	4	14	3	2	4	4
	W <sup>3</sup>	21	49	70	98	21	51	70	102

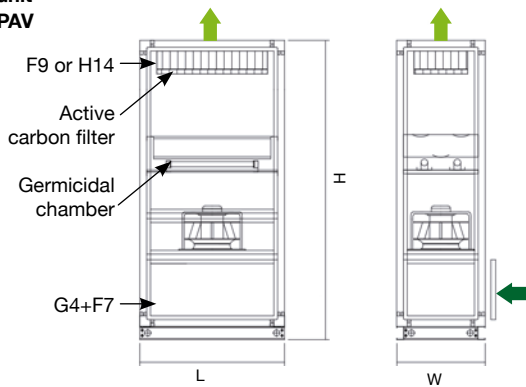
<sup>1</sup> Available pressure given with G4 and F9 filter

<sup>2</sup> Noise levels calculated at 1 m from the unit

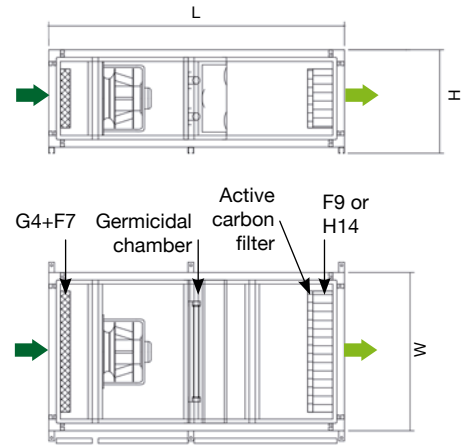
<sup>3</sup> Effective power of UVc radiation

## Dimensions mm

### Vertical unit PAV



### Horizontal unit PAB



Model		PAV 1.5 17FG9 UV	PAV 3.0 17FG9 UV	PAV 4.5 17FG9 UV	PAV 6.0 17FG9 UV	PAB 1.5 17FG9 UV	PAB 3.0 17FG9 UV	PAB 4.5 17FG9 UV	PAB 6.0 17FG9 UV
LENGTH (L)	mm	774	774	1079	1504	1450	1450	1450	1450
WIDTH (W)	mm	474	779	779	779	774	1366	1079	1366
HEIGHT (H)	mm	1600	1600	1600	1600	474	474	779	779
SUPPLY MODULE	mm	324	490	490	490	-	-	-	-
BASIC WEIGHT	kg	113	140	190	215	108	138	135	155
UVc MODULE	kg	5	5	6	14	5	6	9	10
SUPPLY MODULE	kg	25	33	42	55	-	-	-	-

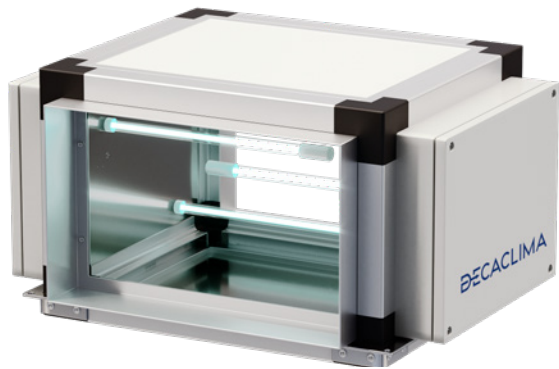
\*Data subject to change without prior warning

## Optional air outlet modules



# Germicidal modules for ducts

Units specifically designed to be installed inserted in ducting and used for cleaning the air inside any type of premise; primarily in high occupancy areas. The product range is introduced for connection to 240 V and easy to install in technical ceilings.



Unit built using "C" range UV lamps with a 253.7 nm spectrum, which is the wave amplitude that is prescribed for deactivating a large variety of micro-organisms.

Cellular DNA and RNA absorb the UVc energy of the short wave length. UVGI technology has demonstrated an effectiveness of 99% for controlling microbial growth in the battery area and the drainage tray when it is properly installed.

### MAIN CHARACTERISTICS

- UVc Lamps.
- Panels with interior insulation.
- Lugs so the unit can be easily hoisted.
- Nozzles to facilitate installation in the duct.
- Galvanised steel interior/painted exterior.
- Aluminium modular structure.

### OPTIONS

- Radiometer (indicates radiation, hours and percentage)

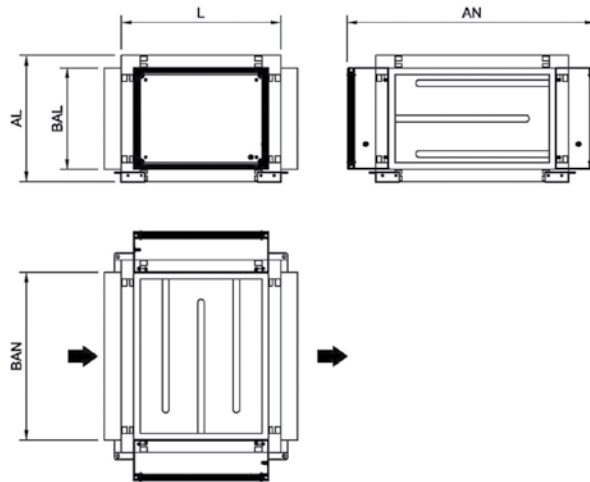
### Technical characteristics

Model		MGC 800 UV	MGC 1.200 UV	MGC 2.000 UV	MGC 3.000 UV	MGC 5.000 UV
FLOW RATE	m <sup>3</sup> /h	800	1200	2000	3000	5000
	CFM	471	706	1177	1766	2943
POWER SUPPLY	V	I-200-230 V 50/60 Hz	I-200-230 V 50/60 Hz	I-200-230 V 50/60 Hz	I-200-230 V 50/60 Hz	I-200-230 V 50/60 Hz
UVc	Units	2	4	6	10	12
	W*	14	28	42	70	84

\*Effective power of UVc radiation

\*Data subject to change without prior warning

**Dimensions mm**



Model		MGC 800 UV	MGC 1.200 UV	MGC 2.000 UV	MGC 3.000 UV	MGC 5.000 UV
LENGTH (L)	mm	376	376	476	476	676
WIDTH (W)	mm	517	660	740	1040	1140
HEIGHT (H)	mm	276	276	376	376	476
NOZZLE (BAL)	mm	202	202	302	302	402
NOZZLE (BAN)	mm	400	500	500	800	900
WEIGHT	kg	15	21	29	37	50

\*Data subject to change without prior warning

**Radiometers**

Equipment that allows monitoring radiation levels (in  $\mu\text{W}/\text{cm}^2$ ) and setting the percentages to the desired level between 0 and 100%. The system includes an operating hours counter and monitoring of radiation for equipment in critical applications.

The radiometer ensures that UVc lamps are operating properly.



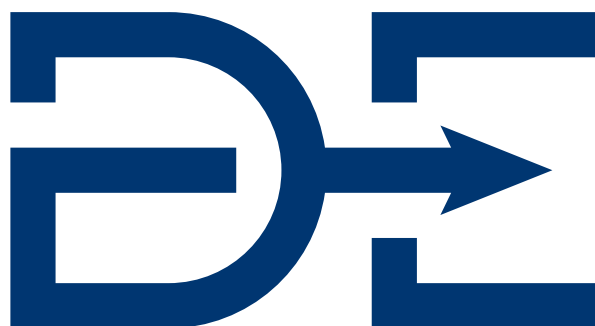
**MAXIMUM ABSOLUTE RATES**

Parameter	Value		Comments
	Min.	Max.	
Supply voltage (V)	9	24	*Only 5V (optional)
Supply current (A)		0.2	
Operating temperature ( $^{\circ}\text{C}$ )	-15	65	

**CHARACTERISTICS AT 25 $^{\circ}\text{C}$**

Parameter	Value		Comments
	Min.	Max.	
Detection range (nm)	220	280	10% of peak
Detection power range ( $\mu\text{W}/\text{cm}^2$ )	1	2,500	





INNOVATION IN AIR CONDITIONING  
AND AIR QUALITY EQUIPMENT

**DECACLIMA**

**DECACLIMA COMFORT SOLUTIONS, S.L.**  
Avda. del Castell, 31  
08570 Torelló (Barcelona)  
Tel. +34 930 130 703  
info@decaclima.com  
[www.decaclima.com](http://www.decaclima.com)

**SODECA** Group